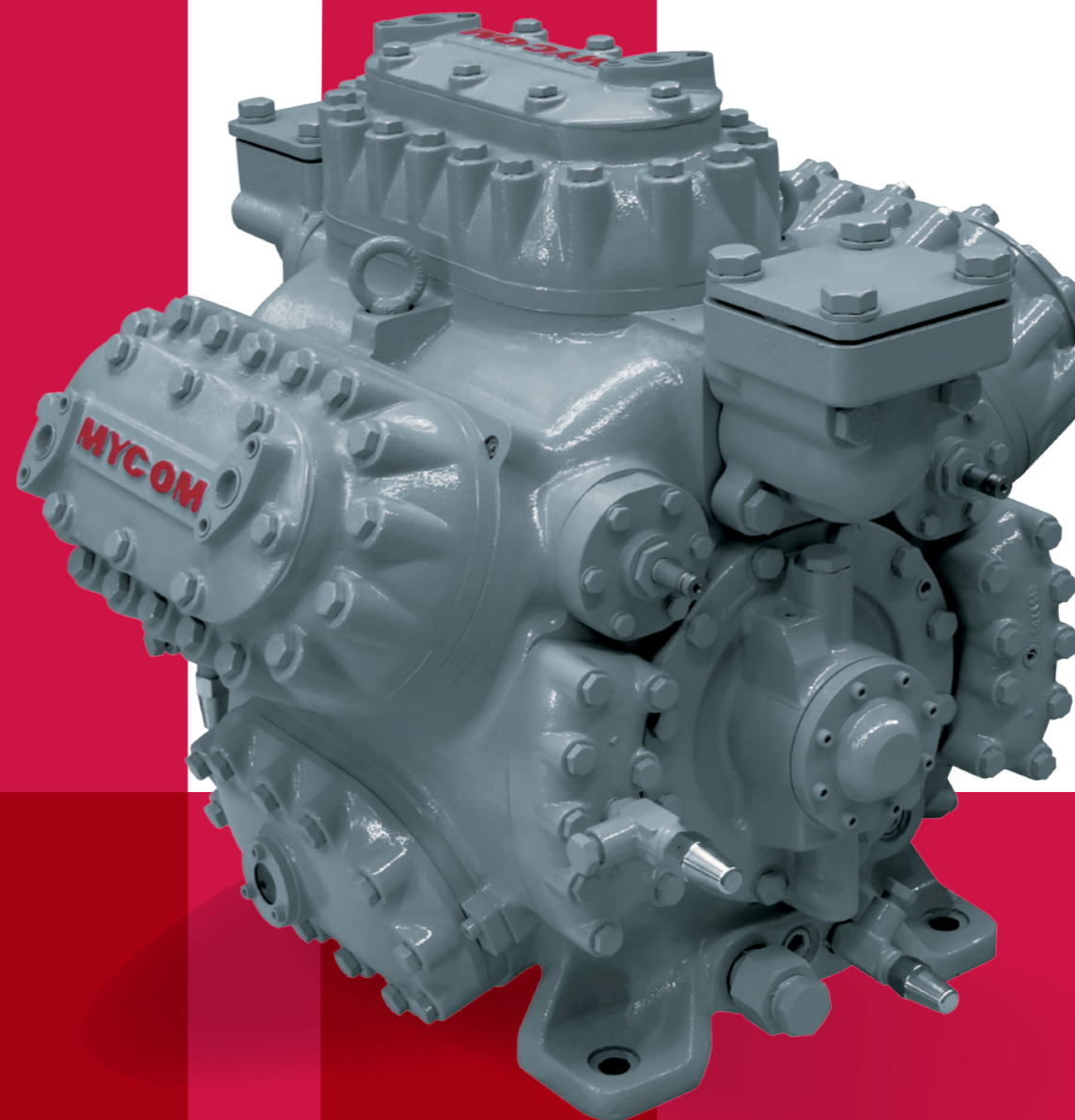


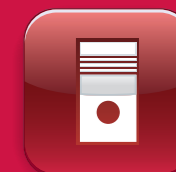
HK SERIES RECIPROCATING COMPRESSOR



HK SERIES RECIPROCATING COMPRESSOR

Reciprocating Compressor / **Single Stage** Open Type

HK SERIES



**MYCOM**

\* Some optional items are included in this photo.

**MAYEKAWA**  
**MYCOM**

The content of this pamphlet may change without advance notice due to improvements to the product.  
\* Mayekawa and MYCOM are registered trademarks of Mayekawa Mfg. Co., Ltd.

**MAYEKAWA MFG.CO.,LTD.**

[Head Office]: 3-14-15 Botan, Koto-ku, Tokyo 135-8482, JAPAN  
TEL:(81)3-3642-8181 FAX:(81)3-3643-7094

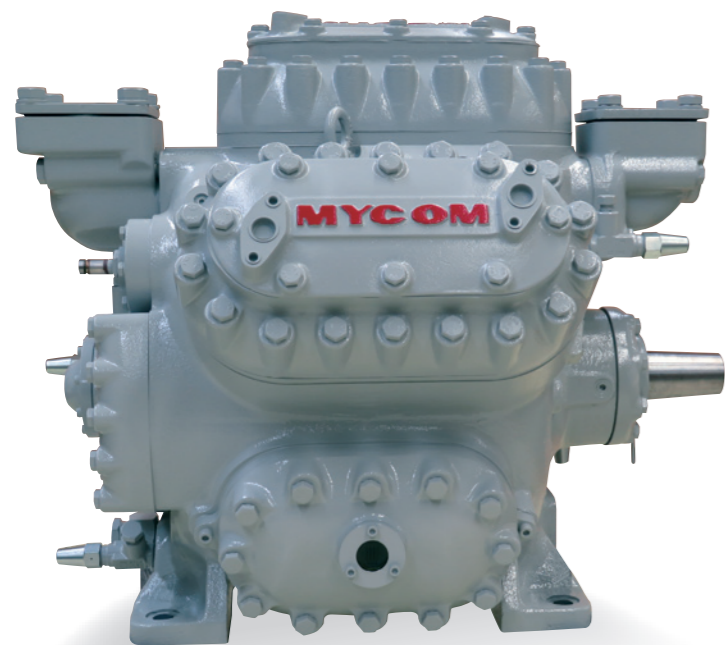
[Inquiries]: [global-contact@mayekawa.co.jp](mailto:global-contact@mayekawa.co.jp)

<http://www.mayekawa.com>

PD157 01001609-16.09.

Standard model of the high pressure (50bar) compressor series  
Compatible with natural refrigerants

# Reciprocating Compressor [Single Stage] Open Type HK-SERIES



\* Some optional items are included in this photo.

## A compressor compatible with ammonia heat pump systems

Achieved condensing temperature at 85 °C to operate with ammonia heat pump systems. This series can also be used for systems utilizing exhaust and waste heat.

## 50bar high pressure design

From CO<sub>2</sub> cascades to ammonia heat pumps, these compressors are designed for a wide temperature range. This series can also be used for CO<sub>2</sub> hot gas defrost systems.

## High reliability

Since its production launch in 2004, the HK series has become the trusted model for many applications.

## Specifications

Model* <sup>1</sup> (N/C)		4HK-P	6HK
Item			
Refrigerant		Ammonia / CO <sub>2</sub>	
Compressor type		Reciprocating, Open Type	
Number of cylinders		4	6
Bore	mm	85	
Stroke	mm	65	
Displacement* <sup>2</sup>	m <sup>3</sup> /h	128	193
Rotation speed	rpm	900-1800* <sup>3</sup>	
Drive method		Direct drive	
Capacity control	%	100/50	100/66/33

\*1. Specify the refrigerant by adding a prefix to the type code (N = Ammonia / C = CO<sub>2</sub>).

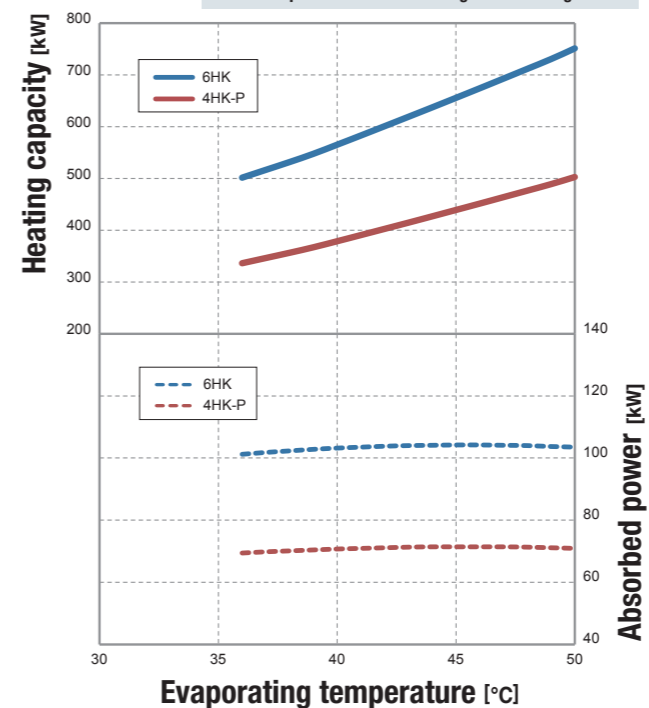
\*2. Displacement at 1450 rpm

\*3. The range of rotation speed varies by operating conditions. Please refer to the ranges of use stated in the operating instructions.

## Performance charts

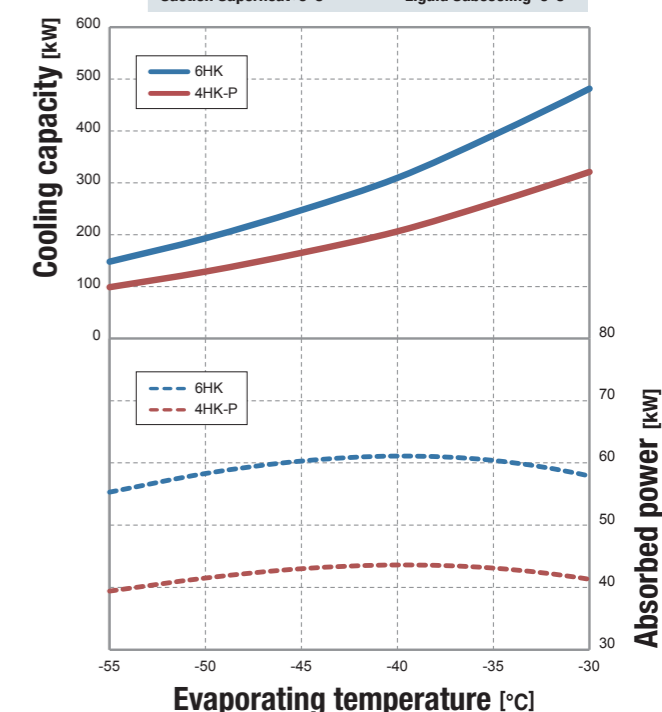
### Ammonia

Condensing temperature: 85°C  
Suction Superheat: 0°C  
Rotation speed: 1450rpm  
Liquid Subcooling: 5°C



### CO<sub>2</sub>

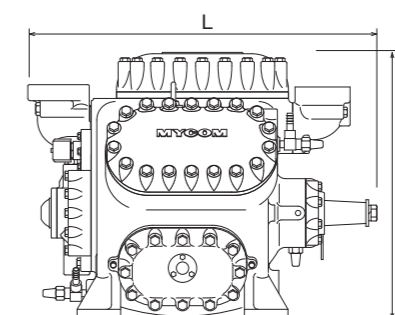
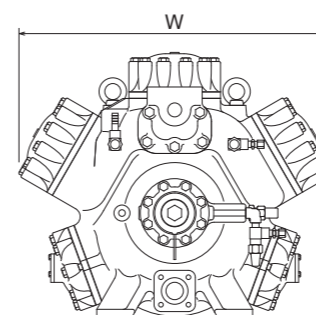
Condensing temperature: -10°C  
Suction Superheat: 0°C  
Rotation speed: 1450rpm  
Liquid Subcooling: 0°C



\* Please consult us for further details.

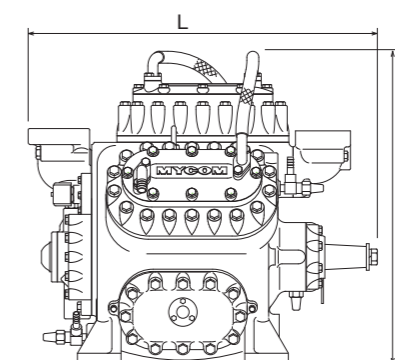
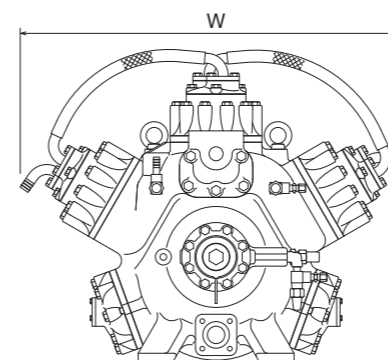
## Outer dimensions

### [Air cooled type (CO<sub>2</sub>)]



Model (C)	Weight (kg)	W (mm)	L (mm)	H (mm)
4HK-P	350	680	785	585
6HK	350	680	785	585

### [Water cooled type (Ammonia)]



Model (N)	Weight (kg)	W (mm)	L (mm)	H (mm)
4HK-P	360	840	785	685
6HK	360	840	785	685

\* The outer dimension drawings illustrate the 6-cylinder model.

\* The stop valve, companion flange, flywheel, safety valve, and oil cooler are not included.